



FABRUM.

FABRUM

H₂

Hydrogen

FABRUM.

**HYDROGEN
REFUELLING
STATIONS**

HYDROGEN REFUELLING STATIONS

With twenty years' experience in precision engineering and technological excellence Fabrum delivers HRS solutions with unsurpassed energy management and end-to-end system optimisation. Fabrum is a world leader in the construction of hydrogen fuelling stations for multiple modes of fuelling to accommodate 350-bar, 700-bar, and liquid hydrogen vehicles at publicly accessible stations as well as for private vehicle fleets.

Fabrum manages the entire project lifecycle, from design and hazard assessments to procurement, construction and commissioning. Fabrum's strong relationships with major global players in hydrogen infrastructure delivery give us control over the entire value chain, ensuring that your project is delivered on time and to budget.



APPLICATIONS

- Public and private refuelling stations
- Commercial fleets
- Industrial facilities
- Remote locations



INDUSTRIES

- Aviation
- Land transport
- Mining



KEY BENEFITS

- Multimode fuelling: 350 bar, 700 bar, liquid hydrogen
- Full solution provider
- Scaleable design

Fabrum's Hydrogen Refuelling Stations deliver these attributes:

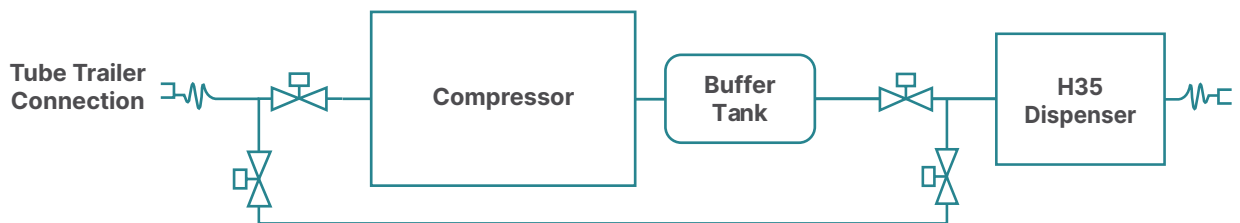
- 01** Supports onsite hydrogen production and/or tube-trailer supply (hub and spoke)
- 02** Scalable to meet growing demand.
- 03** 350-bar bus and truck fuelling
- 04** Designed for optimum fuelling profiles and maximum energy efficiency
- 05** 700-bar vehicle fuelling
- 06** Liquid hydrogen fuelling

Fabrum: The one-stop destination for comprehensive fuel station solutions.

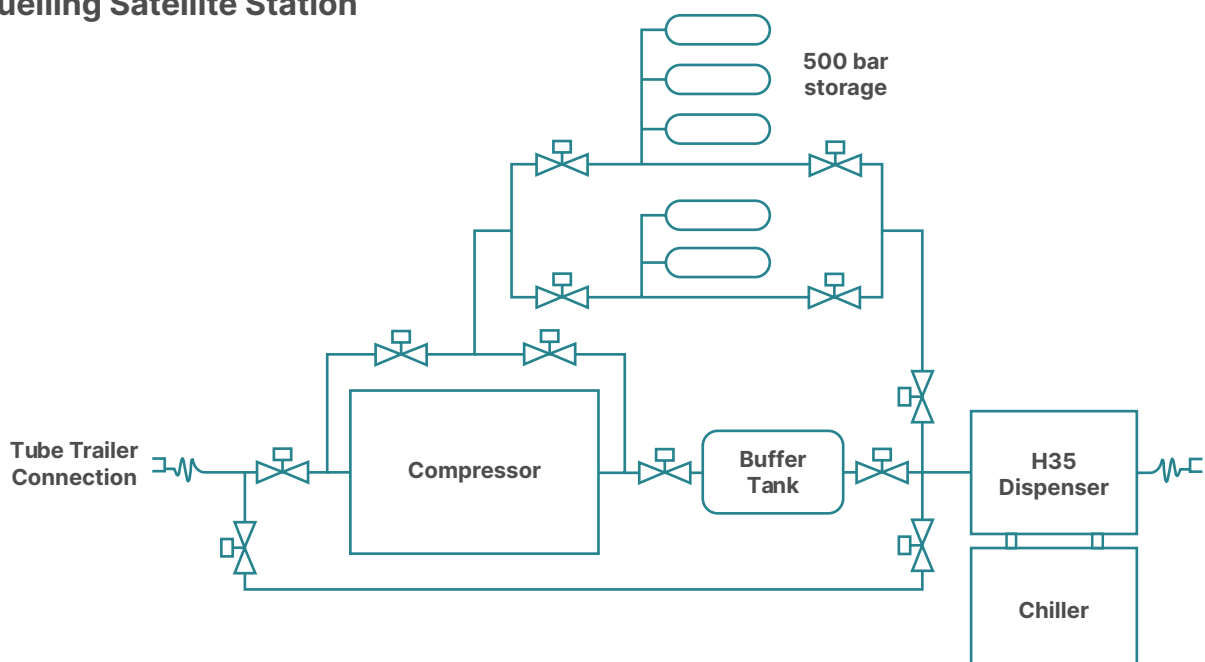
Hydrogen Refuelling Hub



Simple Satellite Station



Fast Fuelling Satellite Station



“We operate at the bottom of the world but we perform at the top of it; and this is just the beginning of our story.”



Mission Critical Solutions.

Providing world leading solutions in engineering and cryogenic technology. Clever Solutions for a Better Future.

NEW ZEALAND

128A Waterloo Road
Hornby
Christchurch 8042
Phone +64 3 982 2810